



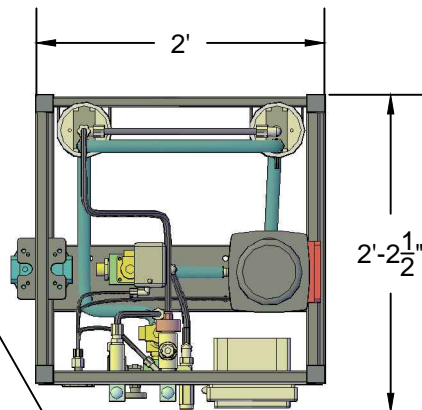
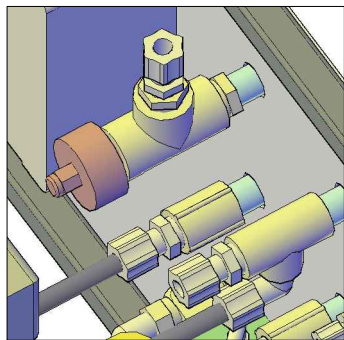
Phone: 920-757-5440  
 Fax: 920-757-5819  
 Address: N1022 Quality Drive,  
 Greenville, WI 54942  
 Email: info@diamondh2o.com  
 Website: diamondh2o.com

## DWM-4,800 Reverse Osmosis System

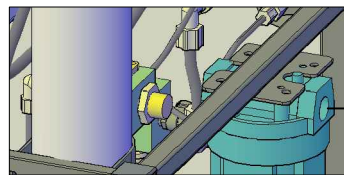
Features:  
 Included Pre-Filter, High Flow, Low Energy Membranes,  
 Fiberglass Membrane Housings, Programmable Automatic  
 Membrane Flush, Low Inlet Water Pressure Safety Shut-Off,  
 Programmable Automatic System Re-Start

### Plumbing

RO Permeate and Concentrate  
 Outlet: Both 1/2" OD JACO



RO Inlet: 1.0" FPT

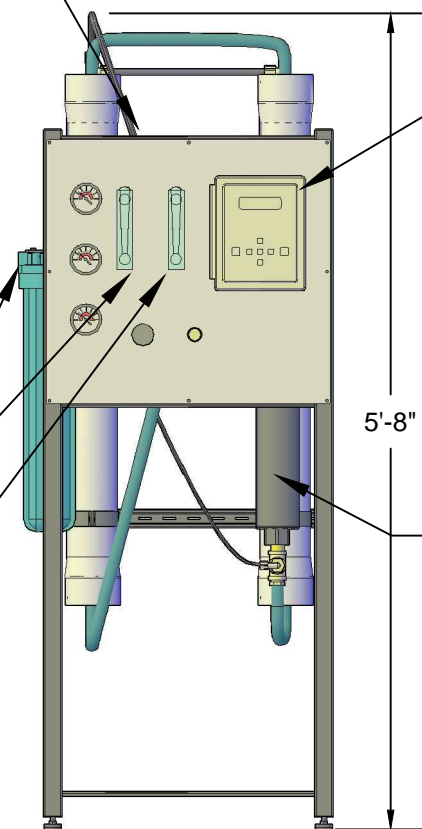


Permeate Flow Meter

Concentrate Flow Meter

### Flow Rates:

Supply (Feed Water): 4.9 GPM  
 Permeate (Product): 3.4 GPM  
 Concentrate (Reject): 1.5 GPM  
 Production: 4,800 gpd  
 Membranes Included: 2



### Footprint

30" W x 24.5" D x 68" H

### DFS 4800 Controller

Requires 220VAC Power Supply  
 Requires separate supply for internal pump.  
 Includes 6' Power Cord and Male Plug

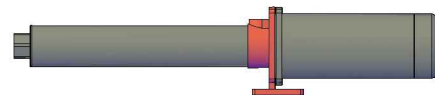
### Product Display

RO Status, Permeate TDS & Temperature,  
 Feed Water TDS, Percent Reject, RO Time



### Internal Pump (1.0 HP)

|                         | 230V | 230V | 460V |
|-------------------------|------|------|------|
| Phase (φ):              | 1    | 3    | 3    |
| Max Load (A):           | 9.6  | 4.7  | 2.35 |
| Branch Fuse Rating (A): | 15   | 15   | 15   |
| 0-100' AWG:             | 14   | 14   | 14   |
| Inlet Size:             | 3/4" |      |      |
| Outlet Size:            | 3/4" |      |      |

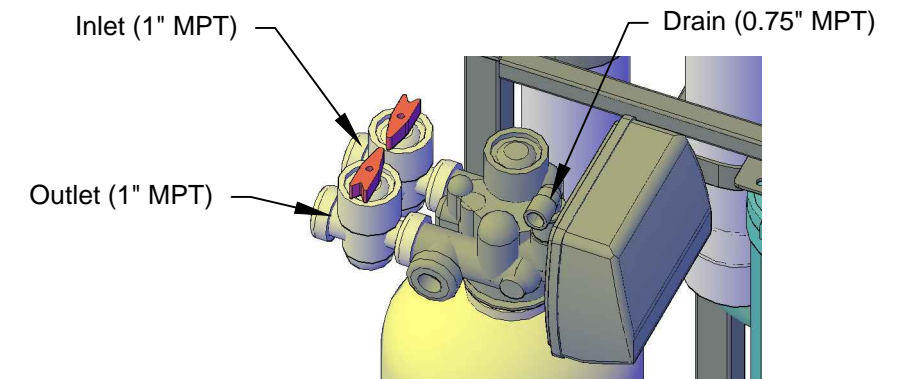
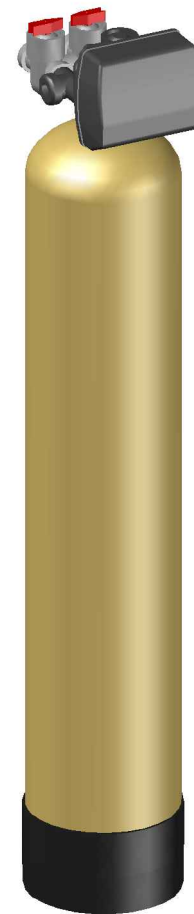


## DCF6-150-100 AC Carbon Filter

Includes: 1.5 CuFt of Media  
 Service Flow Rate: 5 gpm  
 Peak Flow: 7 gpm  
 Drain Flow: 5.5 gpm  
 Weight: 93 lbs

Supply: 110 V, 1φ, 4A

Standard 110V receptacle to accept a wall plug-in transformer  
 (System is supplied with 10' electrical cord & plug)



### BACKWASHING (Pre-Treat)



### OPERATION



MICROSWITCH  
 Part #: 65-0026-XX  
 (Backwashing)  
 Plugs into back of  
 RO System Control

