



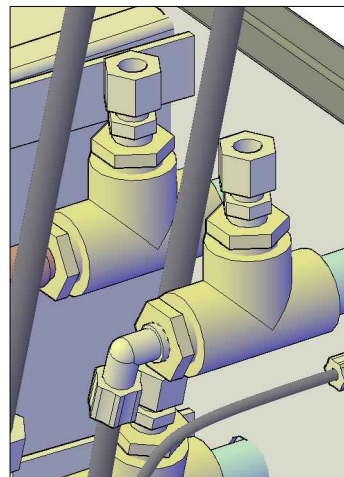
Phone: 920-757-5440  
 Fax: 920-757-5819  
 Address: N1022 Quality Drive,  
 Greenville, WI 54942  
 Email: info@diamondh2o.com  
 Website: diamondh2o.com

## DFS-14,400 Reverse Osmosis System

**Features:**  
 Included Pre-Filter, High Flow, Low Energy Membranes,  
 Fiberglass Membrane Housings, Programmable Automatic  
 Membrane Flush, Low Inlet Water Pressure Safety Shut-Off,  
 Programmable Automatic System Re-Start

### Plumbing

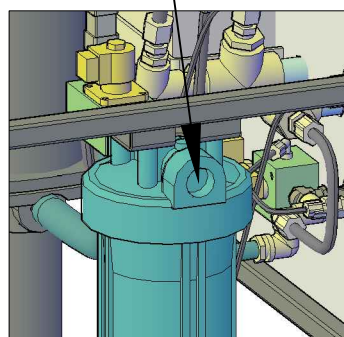
RO Permeate and Concentrate  
 Outlet: Both 1/2" ID JACO



Permeate Flow Meter

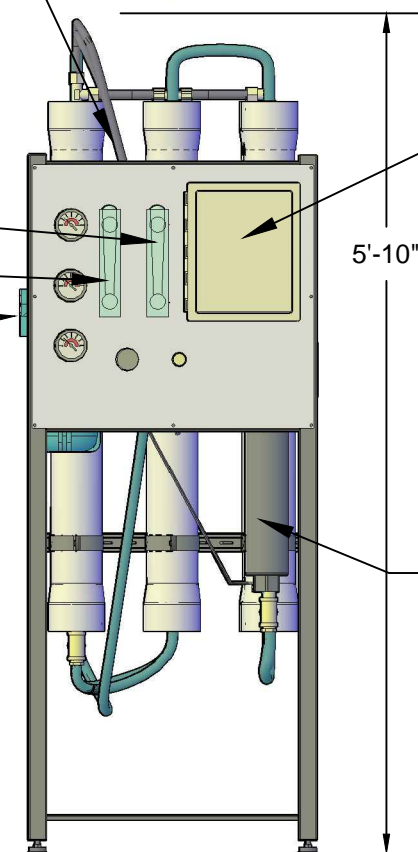
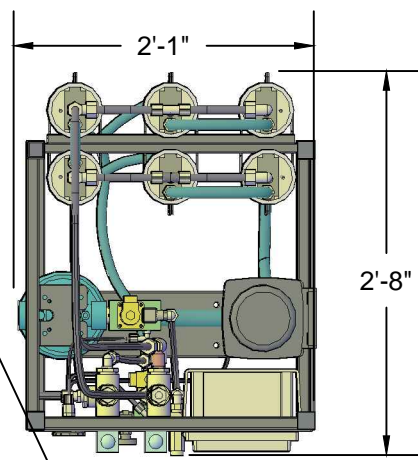
Concentrate Flow Meter

RO Inlet: 1.0" FPT



### Flow Rates:

Feed Flow: 14.3 gpm  
 Permeate Flow: 10.0 gpm  
 Concentrate Flow: 4.3 gpm  
 Production: 14,400 gpd



### Footprint

25" W x 32" D x 70" H

### Electrical

**DFS-14400 Controller**  
 Requires 120VAC Power Supply  
 Includes 6' Power Cord and Male Plug

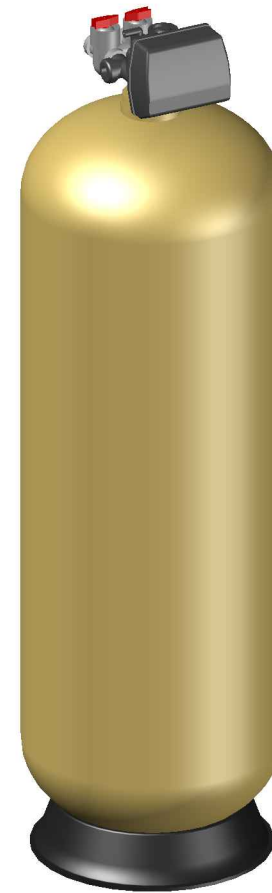
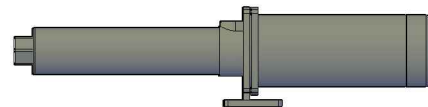
### Product Display

RO Status, Permeate TDS & Temperature,  
 Feed Water TDS, Percent Reject, RO Time



### Internal Pump (2.5 HP)

	230V	230V	460V
Phase (φ):	1	3	3
Max Load (A):	10.4	6	3
Branch Fuse Rating (A):	15	15	15
0-100' AWG:	14	14	14
Inlet Size:	1"		
Outlet Size:	1"		

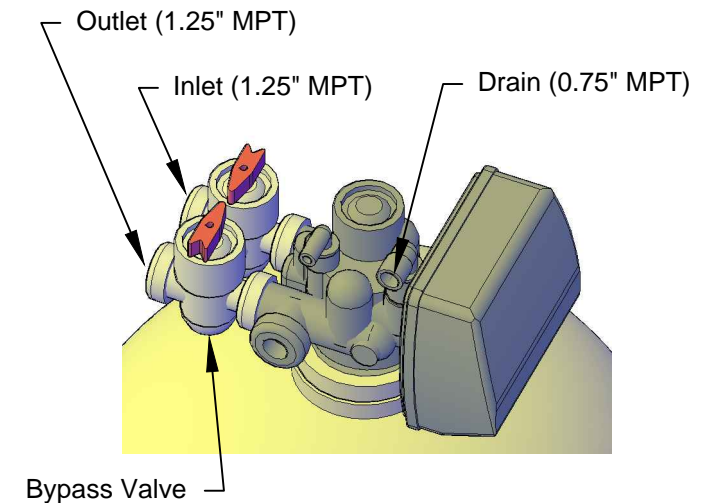


## DCF6-21-125-AC Carbon Filter

**Includes:** 7.0 CuFt of Media  
**Service Flow Rate:** 12 gpm  
**Peak Flow Rate:** 17 gpm  
**Drain Flow:** 25 gpm  
**Weight:** 406 lbs

**Supply:** 110 V, 1φ, 4A

Standard 110V receptacle to accept a wall plug-in transformer  
 (System is supplied with 15' electrical cord & plug)



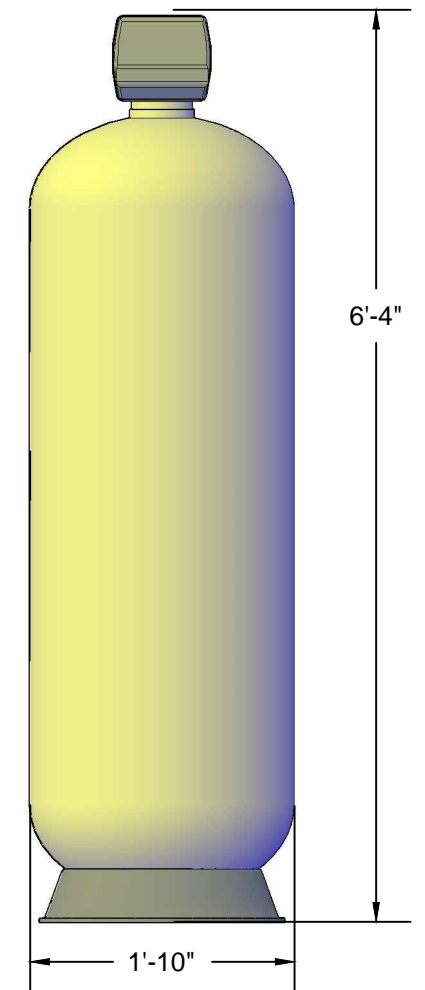
### BACKWASHING (Pre-Treat)



### OPERATION



**MICROSWITCH**  
 Part #: 65-0026-XX  
 (Backwashing)  
 Plugs into back of  
 RO System Control



This drawing and design are the property of Diamond H2O and is not to be reproduced in whole, part, or employed for any other purpose than specifically permitted in writing by Diamond H2O.