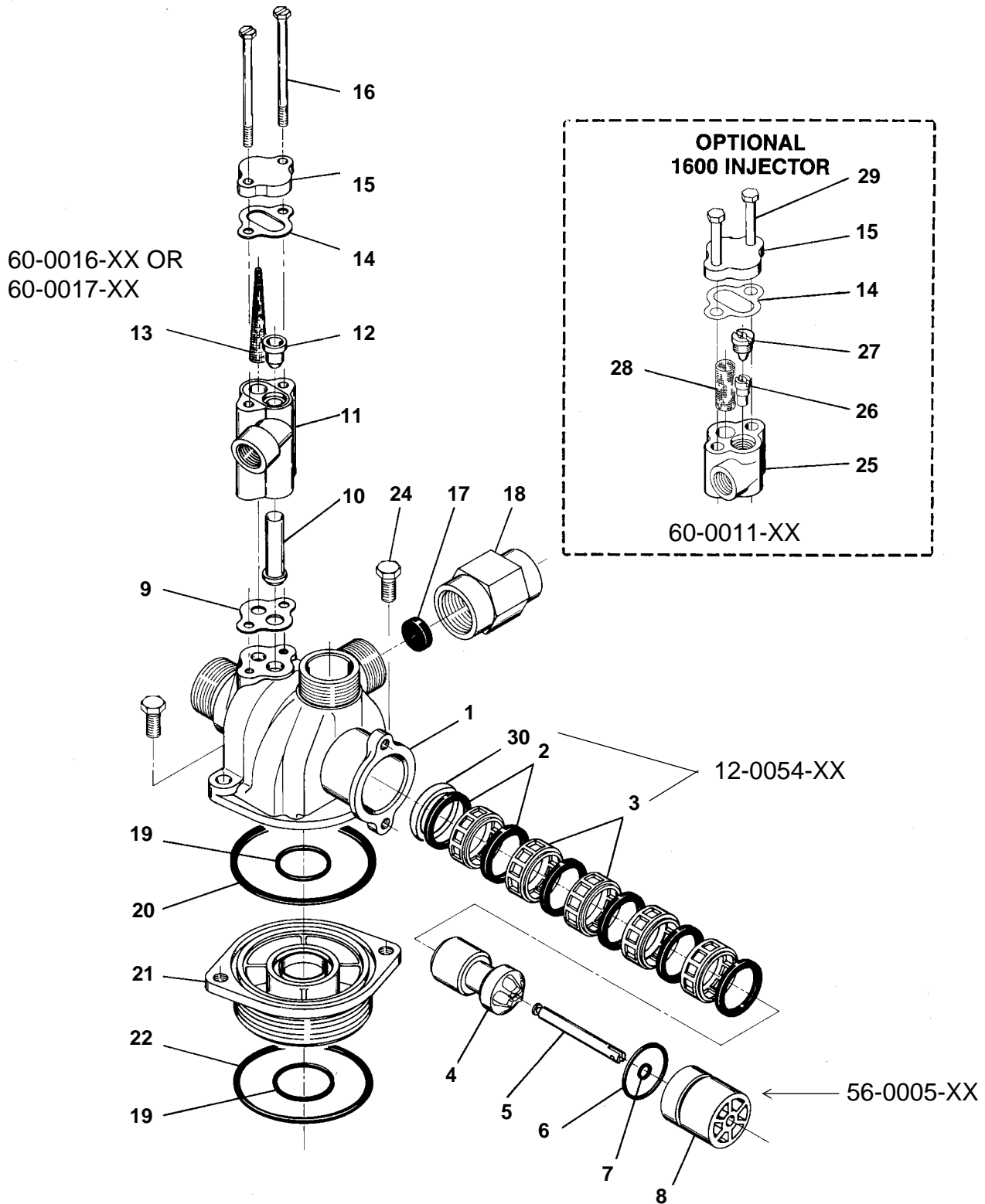


MODEL CR DOWNFLOW

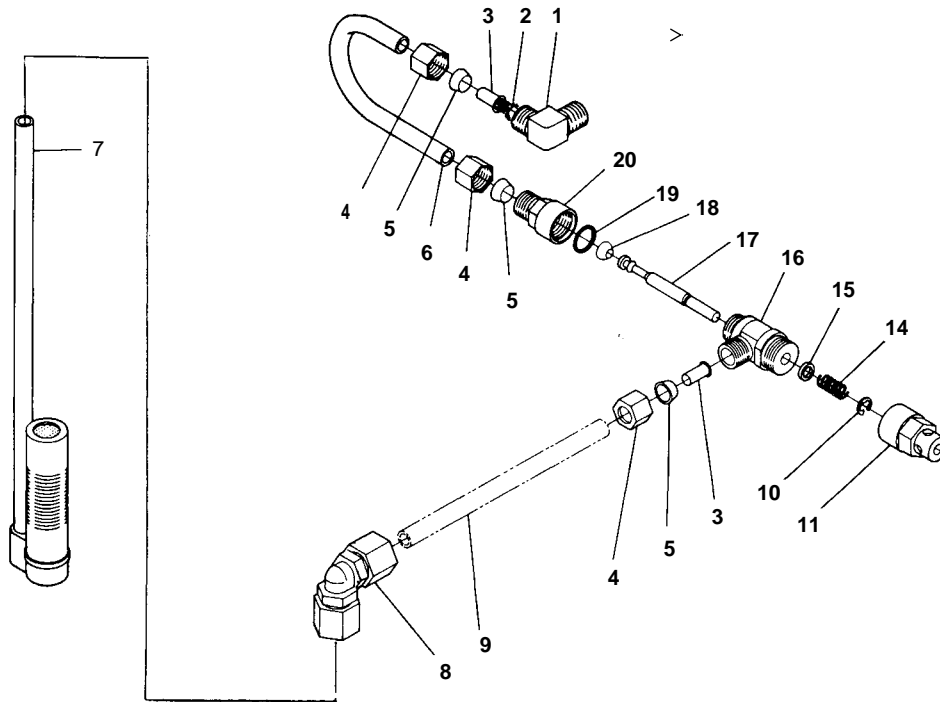
Control Valve with 1700 Injector

(see opposite page for parts list)



MODEL CR DOWNFLOW

1600 Series Brine System Assembly 60-0011-XX

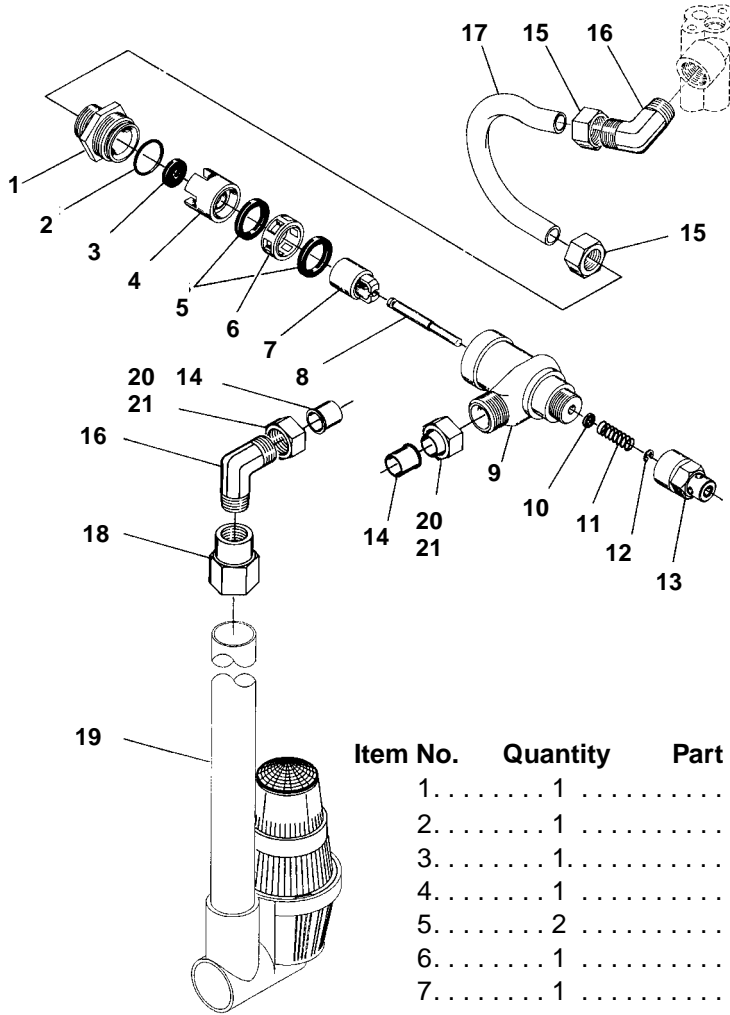


PARTS LIST

Item No.	Quantity	Part No.	Description
1	1		90° Elbow - 1/4" Pipe Thd. to 3/8" Tube
2	1		Brine Line Screen
3	2		Insert Sleeve (3/8" Tube)
4	3		Fitting Nut (3/8" Tube)
5	3		Derlin Sleeve (3/8" Tube)
6	1		Brine Valve Tube
7	1		#500 Air Check Assembly
			#500 Air Check Assembly, Hot Water
8	1		90° Elbow - 3/8" Tube to 3/8" Tube
9	1	Not Supplied	Brine Line Tube (3/8" Flexible Tube)
10	1		Retaining Ring
11	1		Stem Guide
12			Not Assigned
13			Not Assigned
14	1		Brine Valve Spring
15	1		Quad Ring
16	1		Brine Valve Body
17	1		Brine Valve Stem
18	1		Brine Valve Seat
19	1		O-Ring
20	1		BLFC .25 GPM
			BLFC .50 GPM
			BLFC 1.0 GPM

MODEL CR

1700 Series Brine System 60-0016-XX OR 60-0017-XX



PARTS LIST

Item No.	Quantity	Part No.	Description
1.....	1		End Plug
2.....	1		O-Ring - End Plug
3.....	1		Washer Flow Control (specify size)
4.....	1		Flow Control Retainer
5.....	2		Piston Seals
6.....	1		Spacer
7.....	1		Brine Valve Piston
8.....	1		Brine Valve Stem
9.....	1		Brine Valve Body
10.....	1		Quad Ring - Brine Stem
11.....	1		Spring - Brine Valve
12.....	1		Retaining Ring
13.....	1		Stem Guide
14.....	2		Insert
15.....	2		Nut & Sleeve
16.....	2		Elbow
17.....	1		Brine Tube
18.....	1		Reducer Coupling, 1/2" NPT to 1/8" NPT
19.....	1		#900 Air Check Assembly
		 #900 Air Check Assembly, Hot Water
20.....	2		Nut
21.....	2		Sleeve

MODEL CR DOWNFLOW

Service Assemblies

51-0057-XX **1600 Brine Valve**
For Illustration, See Page 12

- 1 Brine Valve Spring
- 1 Retaining Ring
- 2 3/8" Brass Nu
- 2 3/8" Ferrule
- 2 3/8" Sleeve
- 1 B/V Stem Guide
- 1 O-Ring Brine Valve
- 1 1600 Brine Valve Stem
- 1 Shut-Off Valve Seat
- 1 Brine Valve Body
- 1 Quad Ring

51-0041-XX **1700 Brine Valve,**
Specify Refill Rate
For Illustration, See Page 11

- 1 Brine Valve Spring
- 1 Quad Ring
- 1 Quad Ring
- 1 Flow Control Retainer
- 1 Brine Valve Body
- 1 Brine Valve End Plug
- 1 Brine Valve Piston
- 1 Brine Valve Stem
- 1 Spacer
- 2 Piston Seal
- 1 Brine Valve Spring
- 1 Stem Guide
- 1 Nut Ferrule 1/2"
- 1 Nut 1/2"
- 1 Ferrule 1/2"

60-0011-XX **1600 Injector Assembly,**
Specify Injector Size
For Illustration, See Page 8

- 1 Injector Screen
- 1 Injector Cap
- 1 Injector Cover Gasket
- 1 90° Elbow 1/4" NPT x 3/8" Tube
- 2 Screw
- 1 Injector Nozzle
- 1 Injector Throat
- 1 Injector Body Gasket
- 1 Injector Body

60-0016-XX **1700 Injector Assembly,**
OR **Specify Injector Size**
60-0017-XX For Illustration, See Page 8

- 1 Injector Cap
- 1 Injector Cover Gasket
- 1 Injector Body
- 1 Injector Nozzle
- 1 Injector Throat
- 1 Injector Screen
- 2 Screw
- 1 Injector Body Gasket

56-0005-XX **2750 Piston Assembly**
For Illustration, See Page 8

- 1 Quad Ring, -010
- 1 O-Ring, -024
- 1 End Plug Assembly
- 1 Pin, Link
- 1 Piston, 2750
- 1 Piston Rod

56-0005-XX **2750 Piston Assembly**

- 1 End Plug Assy.
- 1 Pin, Link
- 1 Piston, 2750
- 1 Piston Rod

NOT AVAIL. **2750 Piston Assy., Hot Water**

- 1 End Plug Assy., Hot Water
- 1 Piston 2750
- 1 Piston Rod
- 1 Pin, Link

12-0054-XX **Seal & Spacer Kit, 2750**

- 6 Seal, Piston
- 1 End Spacer
- 5 Spacer, 12 Hole

NOT AVAIL. **Seal & Spacer Kit, 2750**
Hot Water

- 6 Seal, Piston
- 1 End Spacer
- 5 Spacer, HW